

# PLASMA BIONICS

## V10 AIR PLASMA STERILIZER

Redefining Veterinary Instrument Sterilization

### DATA SHEET



[plasmabionics.com](http://plasmabionics.com)



## TECHNICAL SPECIFICATIONS

|   |   |
|---|---|
| Exterior dimensions                           | 28.75 in x 19.25 in x 18.75 in (73 cm x 49 cm x 48 cm)  |
| Installation space requirement                | 30.75in x 21.25 in x 20.75 in (2 inches on all sides)   |
| Sterilization chamber dimensions <sup>1</sup> | 18 in x 16 in x 7 in (46 cm x 41 cm x 18 cm)            |
| Sterilization chamber volume <sup>1</sup>     | 33 L (8.7 gal)  |
| Sterilization tray dimensions <sup>1</sup>    | 16 in x 10 in x 4 in (41 cm x 25 cm x 10 cm)            |
| Sterilization tray volume <sup>1</sup>        | 10.5 L (2.8 gal)  |
| Weight  | 110 lbs (49.9 kg)                                       |
| Operating temperature                         | 5-40 °C (41-104 °F)                                     |
| Storage temperature                           | -25-60 °C (-13-140 °F)                                  |
| Electrical requirements                       | 110-120 VAC, 50/60Hz, 6.5 A max (250 V 8 A rated fuse)  |
| Operating relative humidity                   | 0%-95%  |
| Operating altitude                            | Up to 2,000 m (6,562 ft), 545-775 Torr (72.4-103.4 kPa) |

<sup>1</sup> Instruments being sterilized must fit within the area of the sterilization tray.

## STERILIZATION CYCLE SPECIFICATIONS

|                                |  |
|--------------------------------|--|
| Type of sterilization cycle    | Single cycle sterilizes most general surgical and laparoscopic instruments*  |
| Sterilization process          | Air Plasma Sterilization™ process, terminal sterilization using overkill method to provide SAL of 10 <sup>-6</sup>   |
| Total sterilization cycle time | Approximately 4 hours  |
| Preconditioning time           | 15-20 min <sup>†</sup>   |
| Sterilizing time               | 3 hours  |
| Ventilating time               | 45 minutes   |
| Sterilant                      | Reactive oxygen and nitrogen species, primarily ozone, nitrogen dioxide, and hydroxyl radicals   |
| Sterilant production           | Sterilant gases produced from preconditioned air along the surface of the plasma sheet   |
| Sterilant delivery             | Sterilant gases produced inside sterilization chamber  |
| Sterilant removal              | Sterilant gases are converted back into air by pumping through Carulite® 200 granular catalyst   |
| Critical process parameters    | Air temperature, pressure, and humidity are monitored during preconditioning, voltage feedback from plasma production is monitored throughout the sterilizing step   |
| Sterility assurance            | Biological indicators (≥10 <sup>6</sup> spores of <i>Geobacillus stearothermophilus</i> )<br><a href="https://biologicalindicators.mesalabs.com/exposure/">https://biologicalindicators.mesalabs.com/exposure/</a> |

\*See lumen claims below and separate material compatibility lists

<sup>†</sup>Preconditioning time may vary based on environmental conditions (i.e. relative humidity, temperature, altitude)

## CONSUMABLES\*

| Consumable                           | Usable life (sterilization cycles) | Disposal        | Shelf life              | Storage                                       |
|--------------------------------------|------------------------------------|-----------------|-------------------------|---|
| Plasma Sheet                         | 15                                 | No restrictions | Indefinite <sup>1</sup> | Away from heat and moisture                   |
| Desiccant Canister                   | 50-75                              | No restrictions | Indefinite <sup>1</sup> | Away from heat and moisture                   |
| Catalyst Canister                    | 200                                | No restrictions | Indefinite <sup>1</sup> | Away from heat and moisture                   |
| Chemical Indicator Strips and Labels | 1                                  | No restrictions | Indefinite <sup>1</sup> | Away from heat, moisture, and oxidative gases |

\*Please refer to the Recommended Pouches and Wraps document for compatible sterilization pouches and wraps.

<sup>1</sup>Indefinite shelf life in original packaging

## NETWORKING AND DATA RECORDING

|                      |  |
|----------------------|--|
| Data recording       | Electronic data storage up to 10,000 cycles, USB data retrieval for record keeping |
| Network connectivity | No network connectivity feature on model V10                                       |

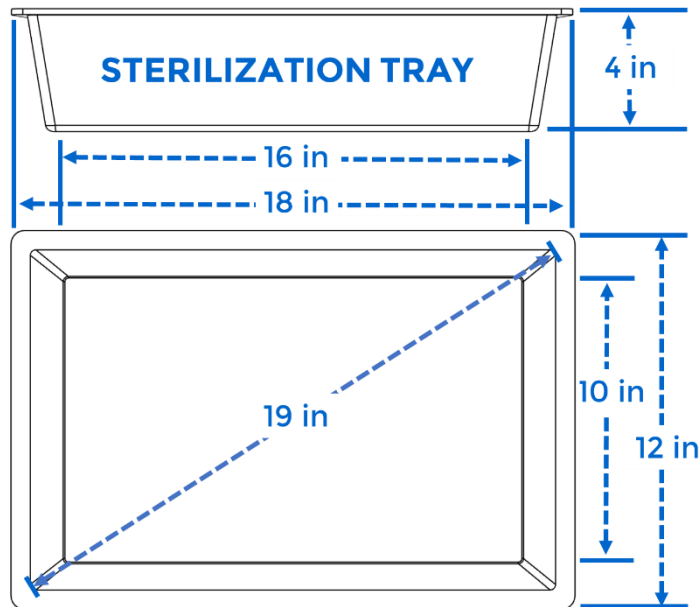
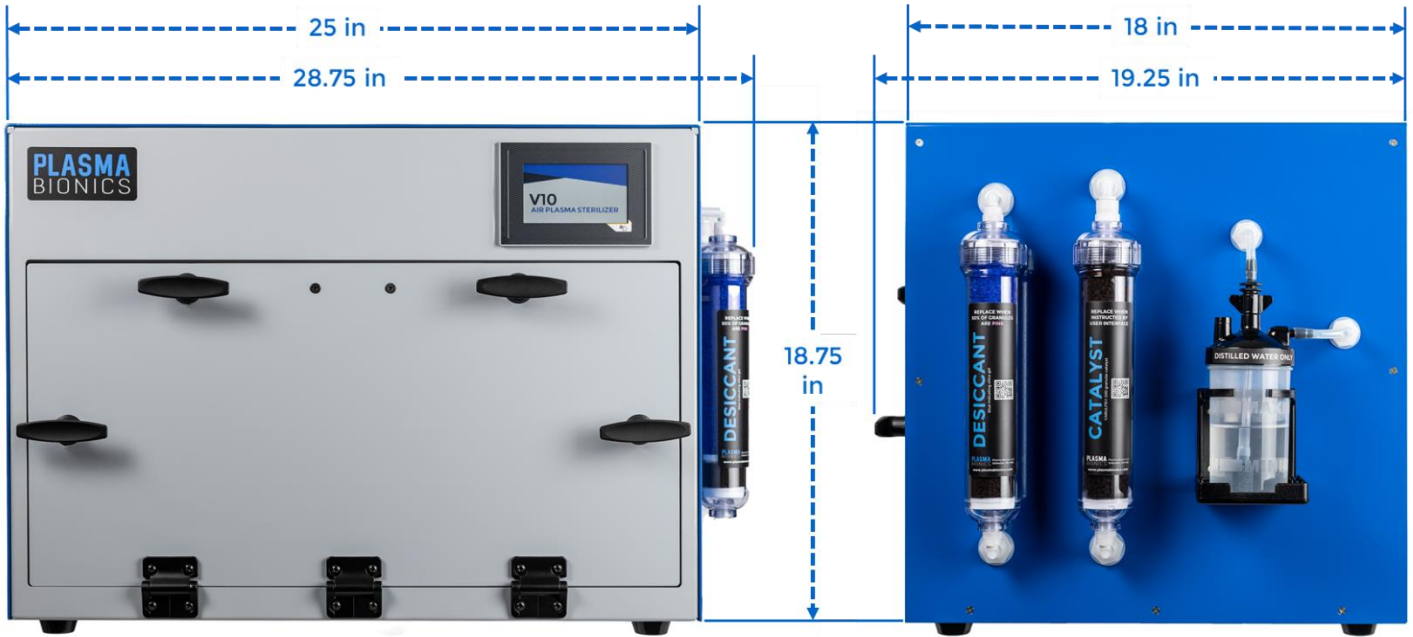
## ORDERING INFORMATION

| Product Code | Product Description                               |
|--------------|---|
| V101         | V10 Air Plasma Sterilizer                         |
| S201         | Plasma Sheets (4 pack)                            |
| D501         | Desiccant Cannister                               |
| C601         | Catalyst Cannister                                |
| CS401        | Chemical Indicator Strips (250 per box)           |
| CL801        | Chemical Indicator Labels (500 per roll)          |
| P701         | Electrical Connector Protection Kit (100 per box) |

## LUMEN CLAIMS

| Diameter | Length  |
|----------|---------|
| 1 mm     | ≤100 mm |
| 2 mm     | ≤200 mm |
| 3 mm     | ≤300 mm |
| 4 mm     | ≤400 mm |
| ≥6 mm    | ≤600 mm |





[plasmabionics.com](http://plasmabionics.com)

sales@plasmabionics.com

+1 (405) 939 0676

